

## DOMINO

Domino is an upholstered collection of soft seating that is well suited to reception areas. Designed with comfort and simplicity in mind, to allow for easily changeable seating environments.

Domino is available as a single or double seat featuring a solid beech frame, the range can be specified with or without arms and has a range complementary coffee tables available.



### STANDARD FEATURES

(\*Selected models only)

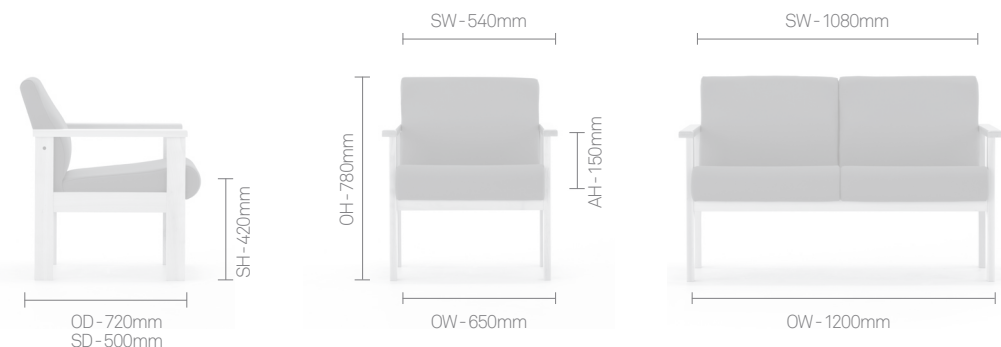
- Beech frame
- Beech arms\*
- Fully upholstered

### OPTIONAL FEATURES

- Two-tone upholstery
- Choice of finish option available- see finish page

## DIMENSIONS

**OH-Overall Height**   **OD-Overall Depth**   **OW-Overall Width**   **AH-Arm Height**   **BH-Back Height**   **SH-Seat Height**   **SW-Seat Width**   **SD-Seat Depth**



## FINISH OPTIONS

- Beech frame available in a clear finish
- Beech arms available in a clear finish
- Domino can be upholstered in a broad range of contract upholstery fabrics and vinyls from The Senator Group standard upholstery collection

---

## Wood Finishes



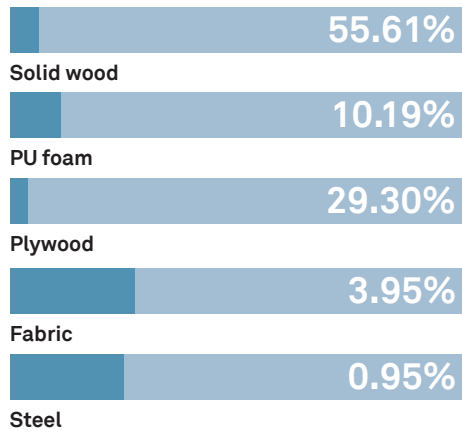
Beech

---

## ENVIRONMENTAL

### Material Content

Components are constructed of the following



### Recycled Content

Contains up to 2.50% of Recycled Material



### Recyclability

The range is 99% recyclable

# 99%

Environmental information for this range has been based on TW6. For more detail please refer to individual EPA sheets.

## THE SENATOR GROUP 3 R'S

The Senator Group is committed to continually improving the sustainability of all environmental aspects within our business.

To meet both international standards and our own environmental targets we apply the three R's principle

**-Reduce, Reuse and Recycle.**

Whilst recycling is the element which receives the most exposure it is actually the last option available and should never be the prime target in anyone's battle to reduce waste.

It is our duty as individuals and as a company to initially attempt to **Reduce** usage. Then we should look to **Reuse** wherever possible and finally, only after these two processes have been exhausted, should we consider **Recycling**.

**-Reduce**  
**-Reuse**  
**-Recycle**