

INTRODUCING

Array

SENATOR

ARRAY

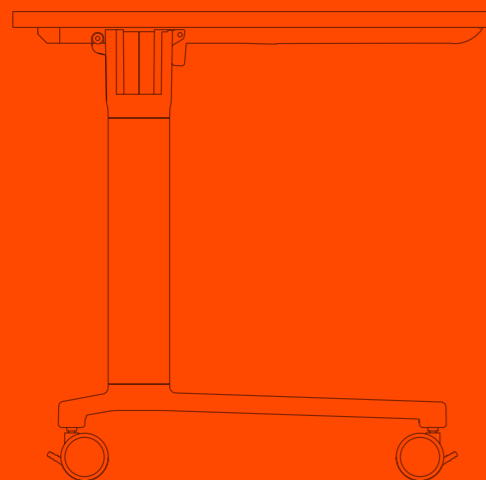
With every Senator design comes a great deal of thought.

The design process begins way before pencil touches paper, and begins by looking at you. We look at how you sit, reach, move, and work, to create a design which not only looks beautiful but is a pleasure to use too.

Whether you're focusing, collaborating, presenting or organising, behind every Senator product is a fusion of intelligent thinking and innovative engineering to create products that help support people in their everyday life.

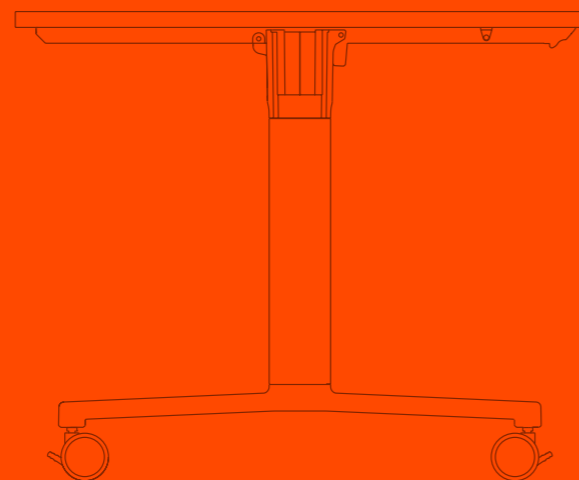
Array is no different.

A multi-use, flip top table, available in 2 base styles, delivering on any task and suitable for any audience.



ARRAY 'C' LEG

A single sided table designed for multiple audiences: classroom to meeting room, individual or bunched up.



ARRAY 'I' LEG

A two-sided table that has been designed for those impromptu collaborative meetings.

MULTI-USE TABLES / C LEG

In today's fast-paced world multi-use spaces have become common. People work, meet and collaborate all in the same location.

Array has been designed with this in mind. Whether you're conferencing or training, Array is adaptable so you can think, learn and work with ease.



3
Cable management accessible from the rear, side and top.

2

Large castors for greater movement and quality.

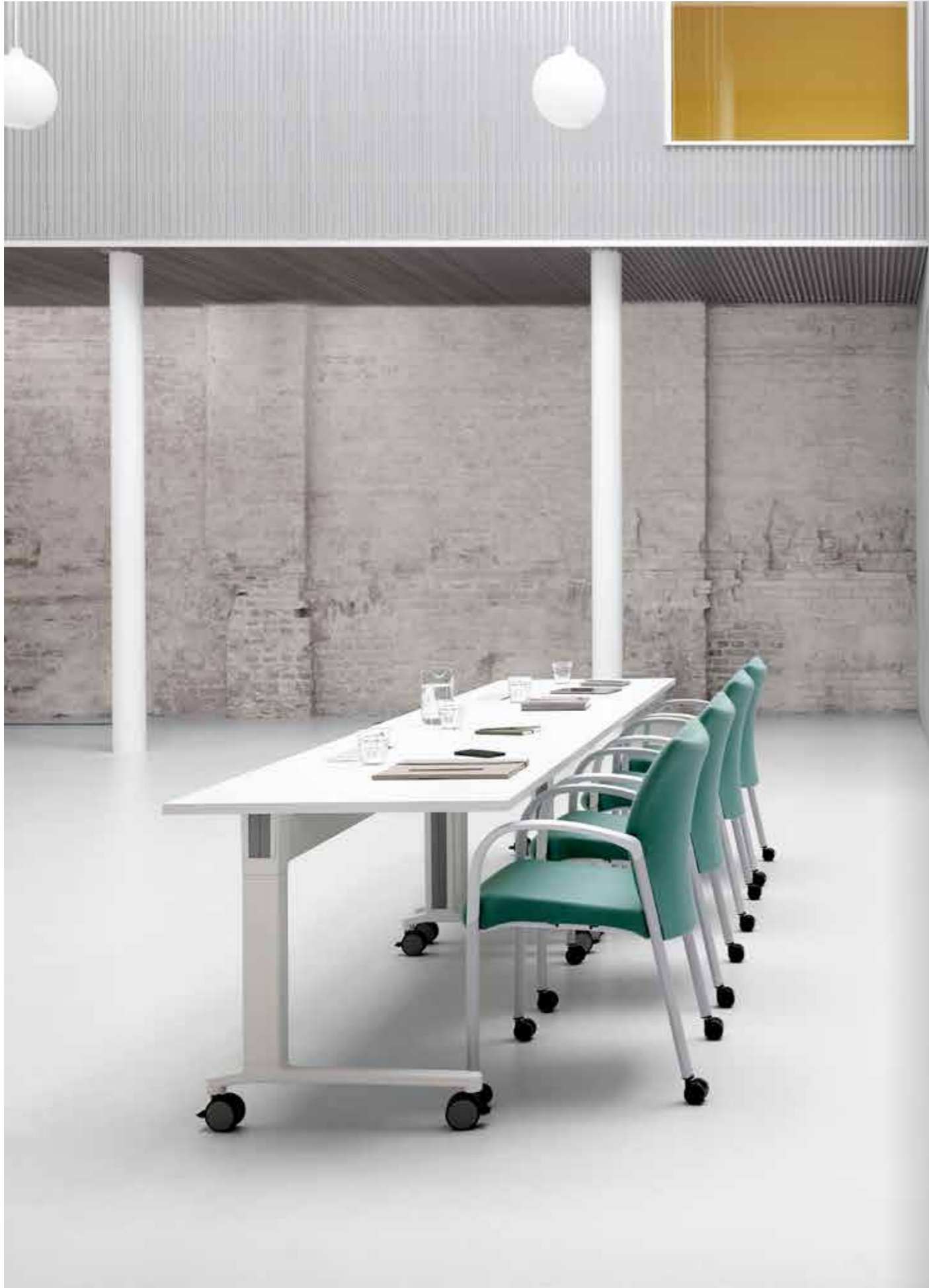


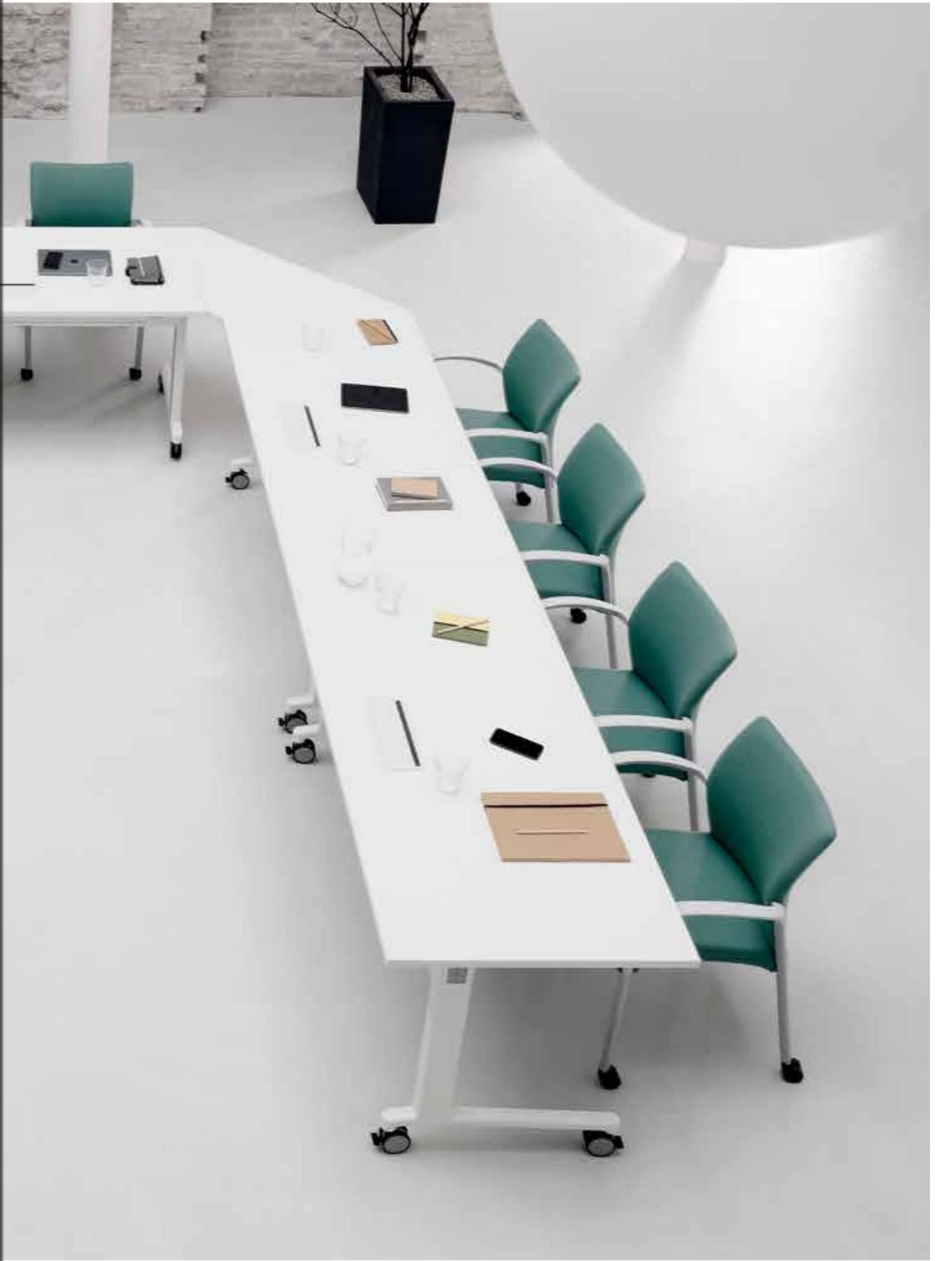
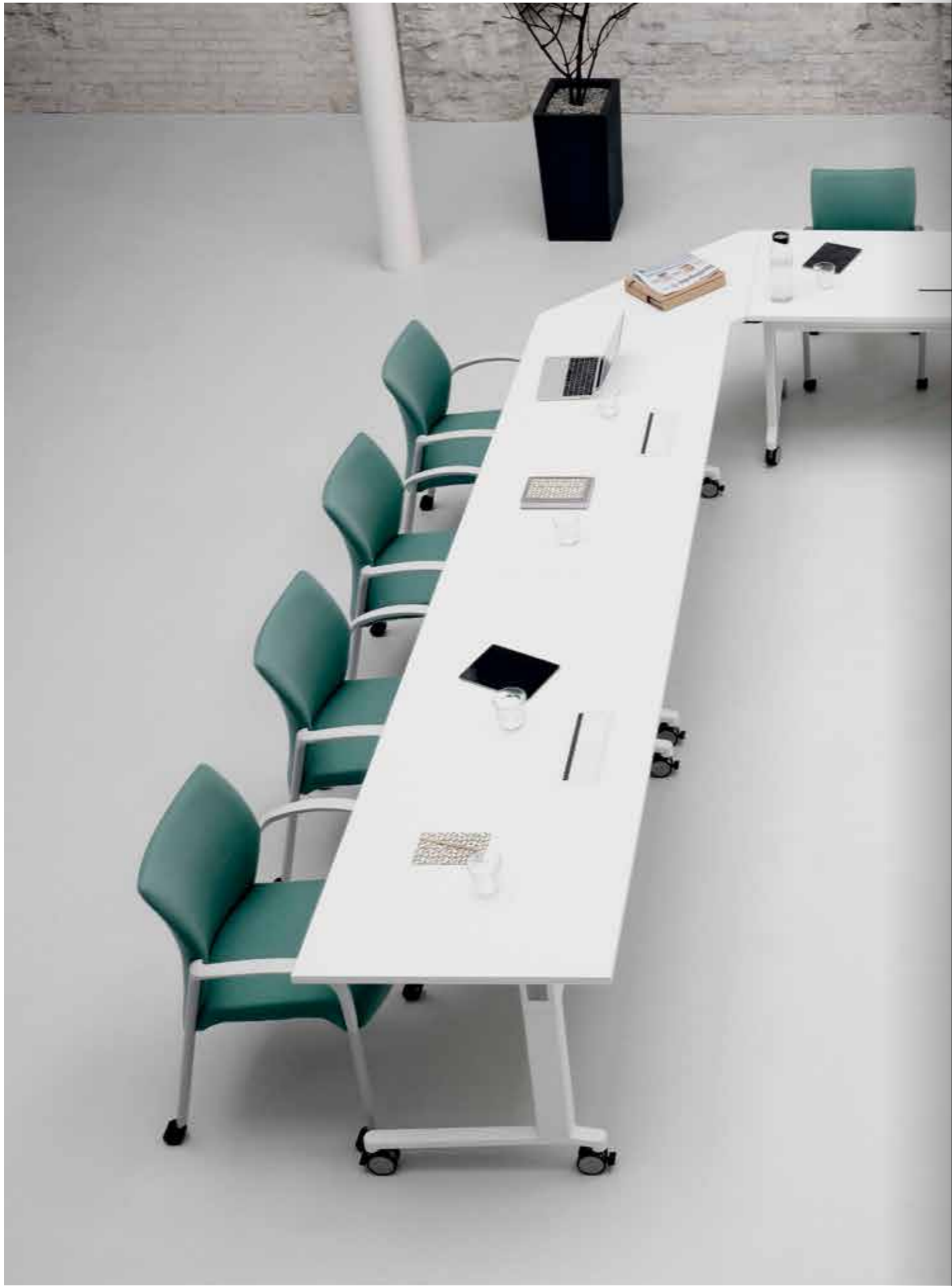
Gas powered mechanisms let Array gracefully open and close.

1

4

Intuitively integrated and generous cable management.

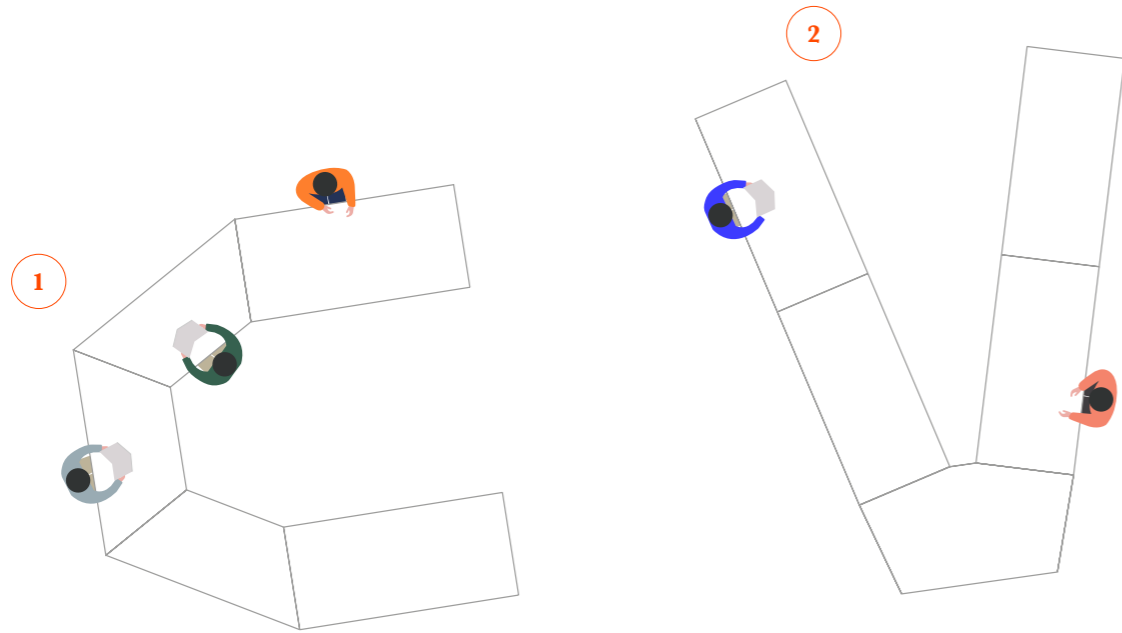




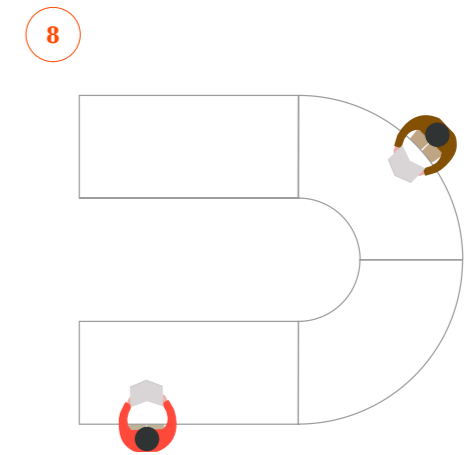
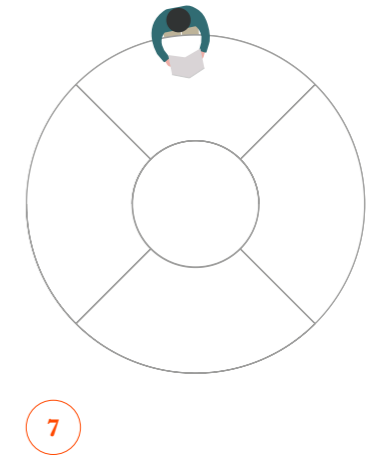
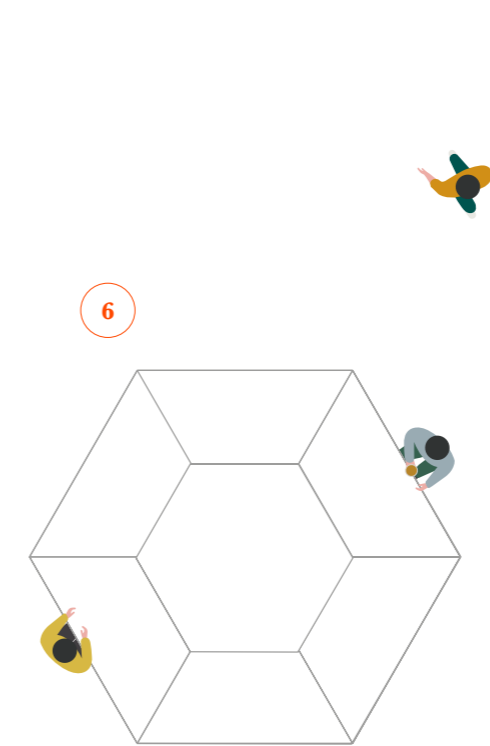
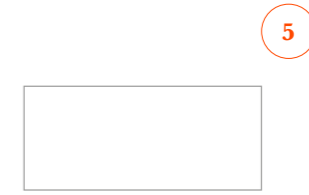
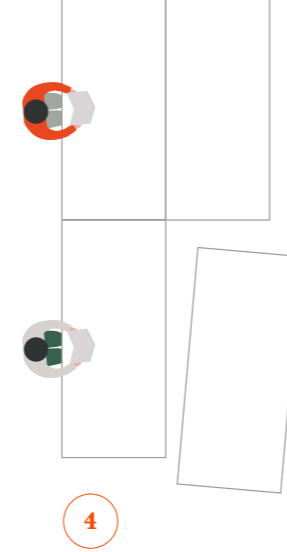
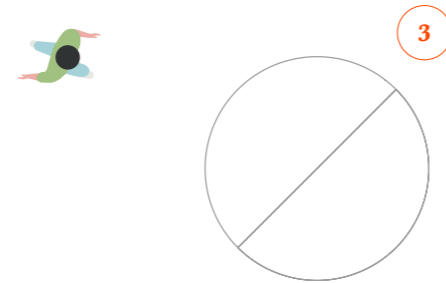
ENDLESS POSSIBILITIES

Array is available in four additional fixed top shapes; Trapezoid, Crescent, Polygon and Half Round. In addition to this, three Quadrants are also available that seamlessly clip onto any rectangular Array mobile tables.

Whatever your requirements Array can easily adapt to your needs.



1. Using the Trapezoid desk combined with the rectangular desk allows the user to create a crescent table perfect for classroom or conferencing scenarios.
2. A single Polygon table gives greater freedom of configurations.
3. Two Half Round tables combined make perfect impromptu classroom, canteen or meeting scenarios.



- 4 – 5. Back to back, single file or individual, rectangle tables are the most flexible.
6. By combining multiple Trapezoid tables could create an alternative solution for a boardroom meeting.
- 7 – 8. Crescent tables can be used entirely on their own or give extra flexibility to the Rectangular table.



1

No switches or clips
just an effortless gas
powered, single lever.



2

Castors you can be proud of.
Getting from A to B just got
a lot easier.



3

An over generous cable
management system.

FUNCTION & FORM

Array is simple but elegant. A linear design made with durable materials makes it capable of withstanding the wear and tear of multi-use spaces.

A single lever gas powered flip mechanism and large castors, make it easy to store and move each table in one effortless motion.

HARD-WIRED WITH CONNECTIVITY

Front, back, top, bottom and even the sides whatever you want to do, and however you need to it Array has been designed to make it simple.



4

Cable management can be intuitively accessed from the rear and side.



5

Cabling is easily fed through Array's specially designed frame.



MEETING

The multi-functional tables can transform any space, for those last minute meetings and more.



TECHNICAL SPECIFICATIONS C LEG

STANDARD FEATURES

- Rigid Aluminium frame
- Full integrated cable management
- Fully lockable brake castors
- Nesting capabilities
- Gas assisted operation
- Single handle
- Integrated cable risers
- 25mm rectangular tops
- Integrated table ganging brackets

SPECIFIABLE FEATURES

- Aluminium cable riser
 - Quadrants
 - Modesty panels
- ### OPTIONAL EXTRAS
- Flip up in-surface power/usb units
 - Corded in-surface power/usb units for larger tables
 - 4 wire 2 circuit power system available

PERFORMANCE STANDARDS

- Designed to conform to and where applicable is tested to the following standards:
- BS EN 15372 – Furniture. Strength, durability and safety. Requirements for non-domestic tables
 - BS EN 6396 – Provision for electrical installations within office furniture and educational furniture
 - Bifma X5.5:2014 – Safety, durability and structural performance

PRODUCT DETAIL



ADDITIONAL FEATURES

- Modesty panel
- Metal Riser



FRAME COLOUR



Black



White

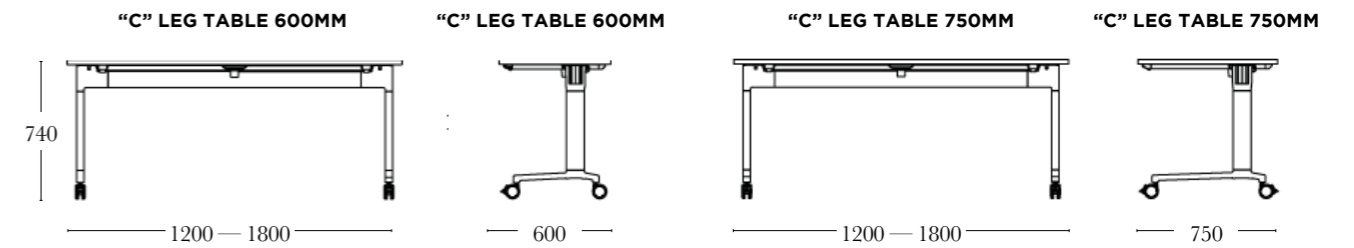


Silver

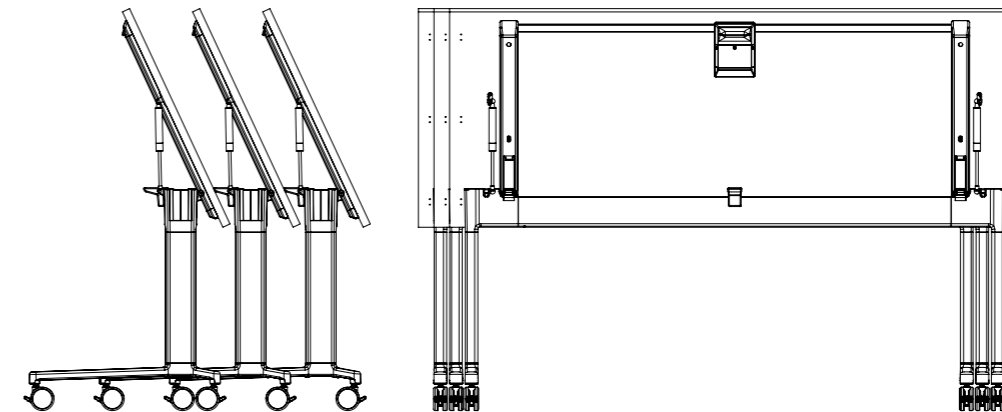
Black

White

DIMENSIONS



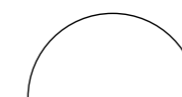
NESTED



CONFIGURATIONS



RECTANGULAR
Widths: 1200 – 1800
Depth: 600 & 750



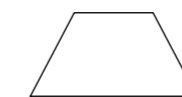
HALF ROUND
Widths: 1500
Depth: 750



POLYGON
Widths: 1400 – 1650
Depth: 600 & 750



CRESENT 120°
Widths: 1700
Depth: 750



TRAPEZOID
Widths: 1500
Depth: 750



ANGLE 45-90°
Depth: 600 & 750



TECHNICAL SPECIFICATIONS I LEG

STANDARD FEATURES

- Rigid Aluminium frame
- Full integrated cable management
- Fully lockable brake castors
- Nesting capabilities
- Gas assisted operation
- Single handle
- Integrated cable risers
- 25mm rectangular tops
- Integrated table ganging brackets

SPECIFIABLE FEATURES

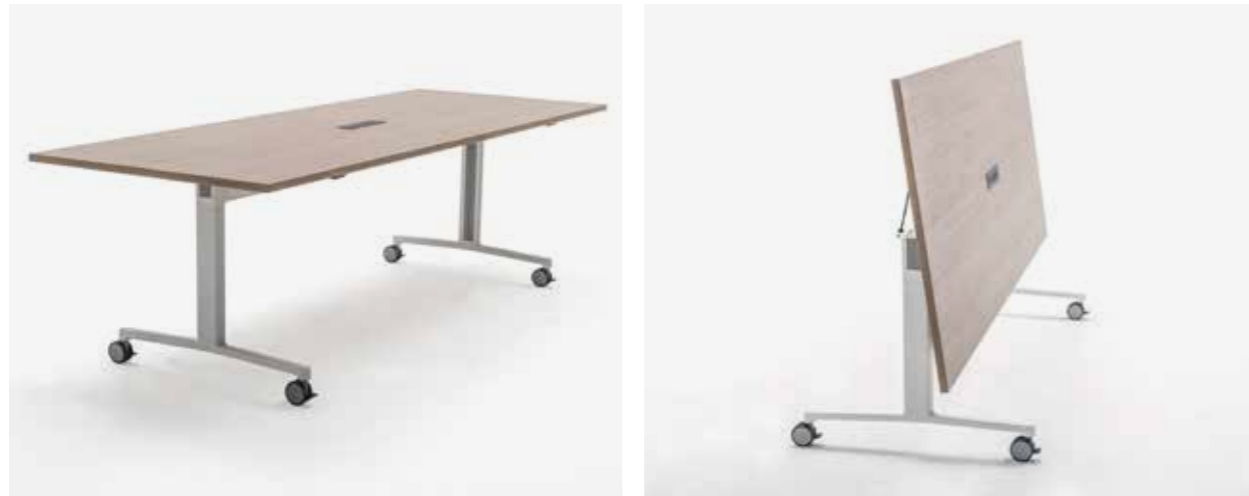
- Aluminium cable riser
 - Quadrants
 - Modesty panels
- ### OPTIONAL EXTRAS
- Flip up in-surface power/usb units
 - Corded in-surface power/usb units for larger tables
 - 4 wire 2 circuit power system available

PERFORMANCE STANDARDS

Designed to conform to and where applicable is tested to the following standards:

- BS EN 15372 – Furniture. Strength, durability and safety. Requirements for non-domestic tables
- BS EN 6396 – Provision for electrical installations within office furniture and educational furniture
- Bifma X5.5:2014 – Safety, durability and structural performance

PRODUCT DETAIL



FRAME COLOUR

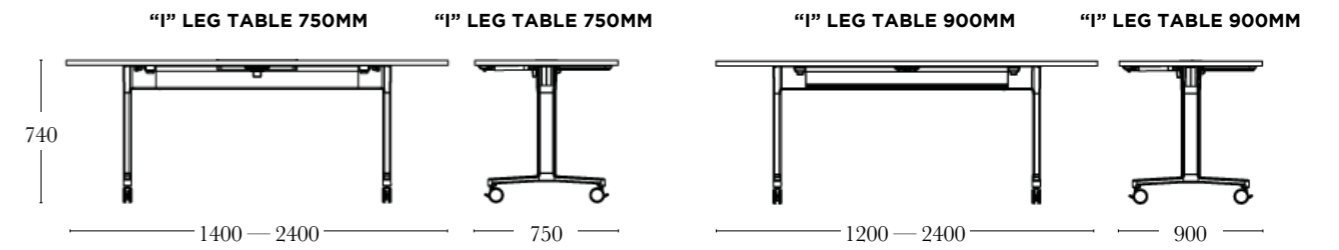


Black

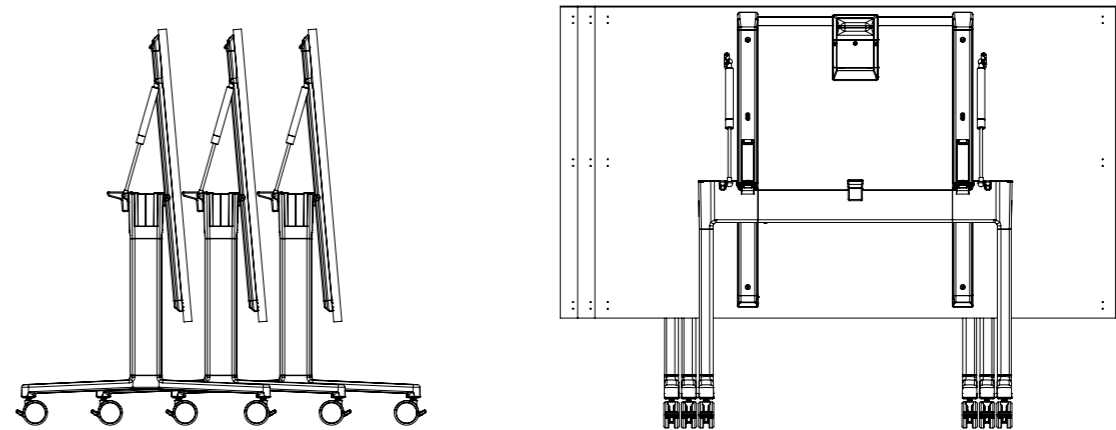
White

Silver

DIMENSIONS



NESTED



CONFIGURATIONS



RECTANGULAR

Widths: 1400 – 2400
Depth: 750 & 900

TECHNICAL SPECIFICATIONS FINISHES

STANDARD TOP FINISHES



Carini Walnut



Mocha



Autumn



Strata Oak



Maple



Highland Oak



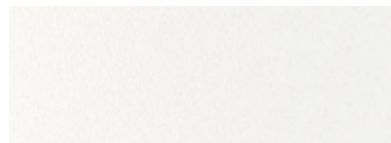
Beech



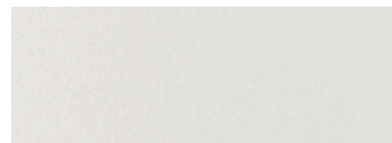
Winter Oak



Hacienda White



White



Light Grey



Denim



Clay



Lemon Sorbet

CONTRASTING EDGE BAND



Ply Effect Edging



Silver Ply Effect Edging

TECHNICAL SPECIFICATIONS POWER OPTIONS

EXECUTIVE



STANDARD



Altham Business Park
Sykeside Drive Accrington
BB5 5YE

THESENATORGROUP.COM

SENATOR

07.19 | Edition 1